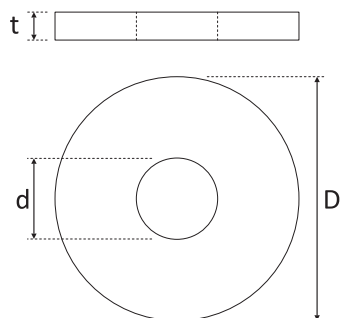


JZ 01 Rondella piana per strutture in legno come riportato in DIN 1052, zincata



SCHEDA TECNICA



d	Diametro interno
D	Diametro esterno
t	Spessore

DUREZZA (HV)	100
FINITURA (ISO 4042)	Fe/Zn5c1A

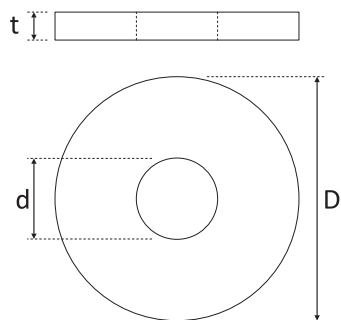
SCHEDA TECNICA **JZ 01**

Codice Articolo	d (mm)	D (mm)	t (mm)	Zincatura [μm]
JZ 01 00 012	14	58	6	5
JZ 01 00 016	18	68	6	
JZ 01 00 020	22	80	8	
JZ 01 00 022	25	92	8	
JZ 01 00 024	27	105	8	

JZ 01 Steel washer for timber structures as in DIN 1052, zinc plated, hardness class HV 100



TECHNICAL DATA SHEET



d	Inner diameter
D	Outer diameter
t	Thickness

HARDNESS (HV)	100
FINISHING (ISO 4042)	Fe/Zn5c1A

TECHNICAL DATA SHEET **JZ 01**

Item Code	d (mm)	D (mm)	t (mm)	Zinc coating [μm]
JZ 01 00 012	14	58	6	5
JZ 01 00 016	18	68	6	
JZ 01 00 020	22	80	8	
JZ 01 00 022	25	92	8	
JZ 01 00 024	27	105	8	