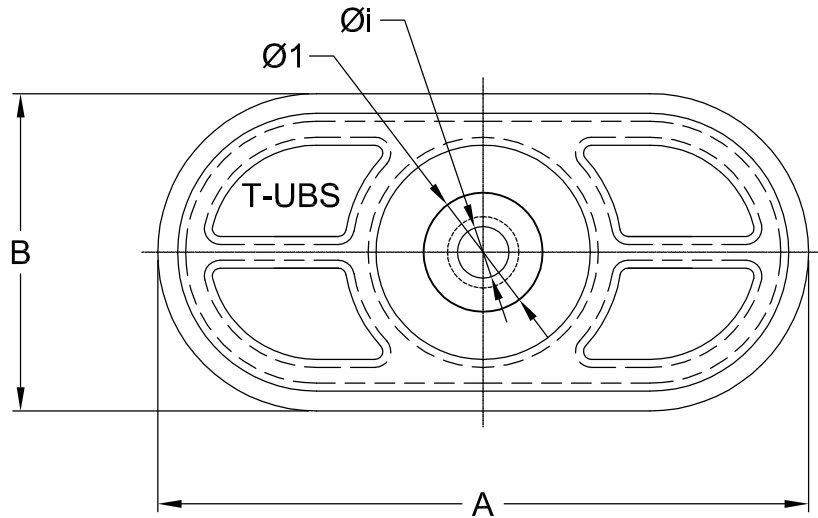
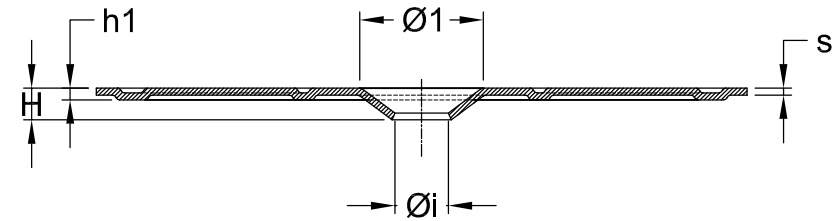
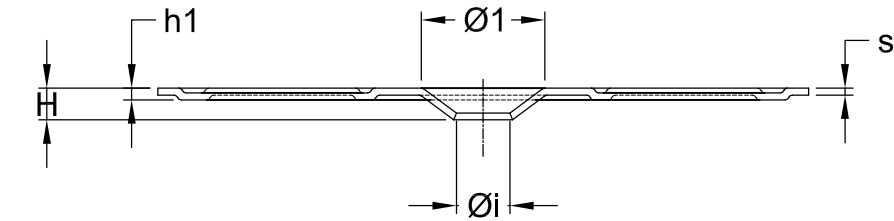


# SCHEDA ARTICOLO



| Item code     | UBSxx82405 | UBSxx82406  | UBSxx82409 |
|---------------|------------|-------------|------------|
| Size AxBxSxØi | 82x40x1x5  | 82x40x1x6.5 | 82x40x1x9  |
| A             | 82.0       | 82.0        | 82.0       |
| B             | 40.0       | 40.0        | 40.0       |
| Øi            | 5.80       | 7.00        | 9.70       |
| Ø1            | 12.50      | 12.50       | 15.60      |
| s             | 1.00       | 1.00        | 1.00       |
| H             | 3.20       | 2.90        | 3.00       |
| h1            | 1.70       | 1.70        | 1.70       |

Rondella ovale nervata con foro svasato, 82x40 mm

Oval ribbed washer with countersunk hole, 82x40 mm

**Materiale / Material:**

Acciaio prezincato DX51D+Z100 o aluzinc DX51D+AZ150 /  
Pregalvanized steel DX51D+Z100 or aluzinc DX51D+AZ150

**Finitura / Finishing:**

Disegnato da / Drawn by:  
Technical Department

Approvato da / Approved by:

Nome file / File name:  
UBSxx-01

Data / Date:  
22/07/2020

Scala / Scale:  
n : n

Unità / Unit:  
mm

**Note:**



N° DIS. : UBSxx/01

**Tecfi S.p.A.**

Firma